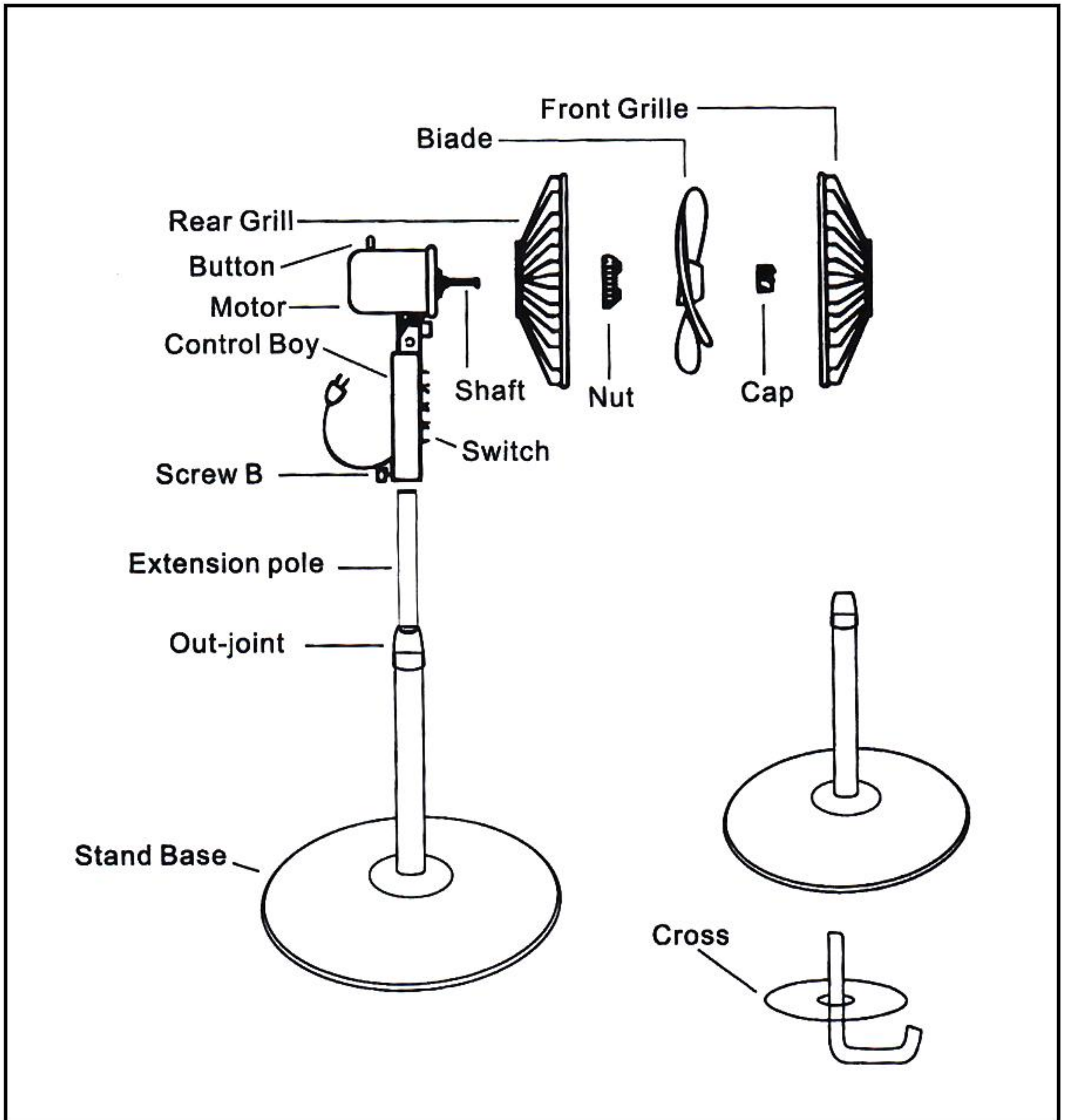


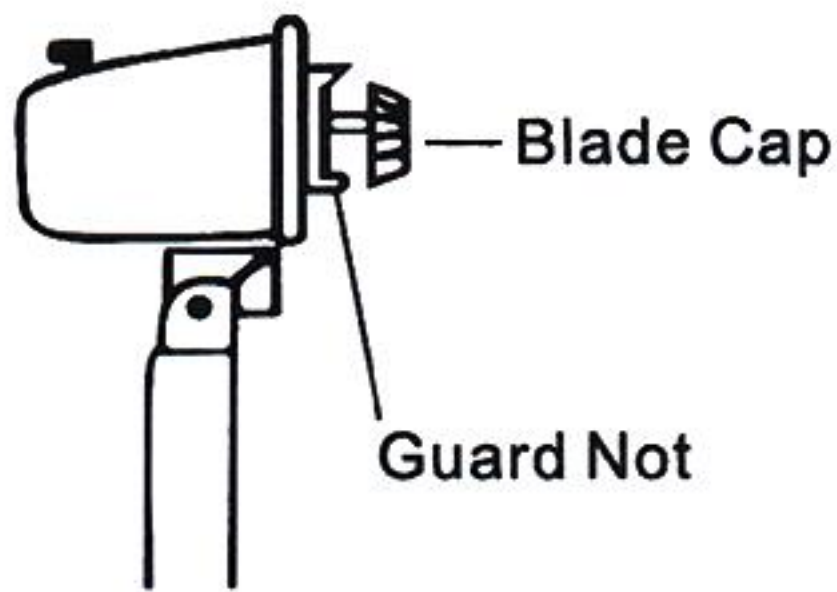
# Solar Fan

## ASSEMBLING INSTRUCTIONS

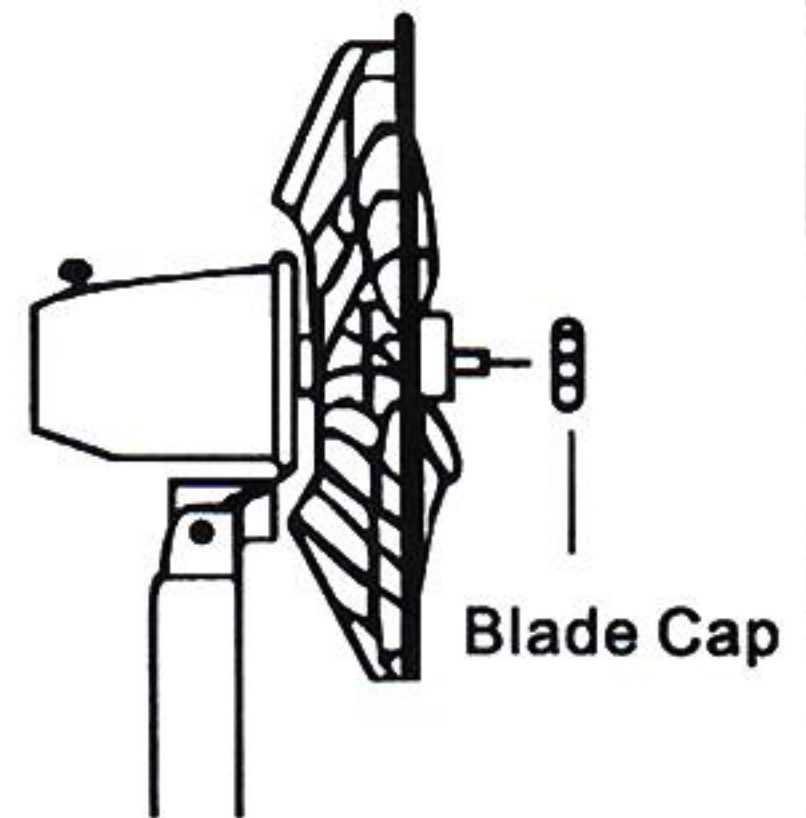


1. Put spring in stand tube from the tube bottom, tighten stand tube to stand base. with screw A.
2. Unscrew out-joint. but the base cover and stand cover on the stand base, pull the extension pole out then tighten the out-joint again.
3. Place control box firmly on top of extension pole, tighten screw B

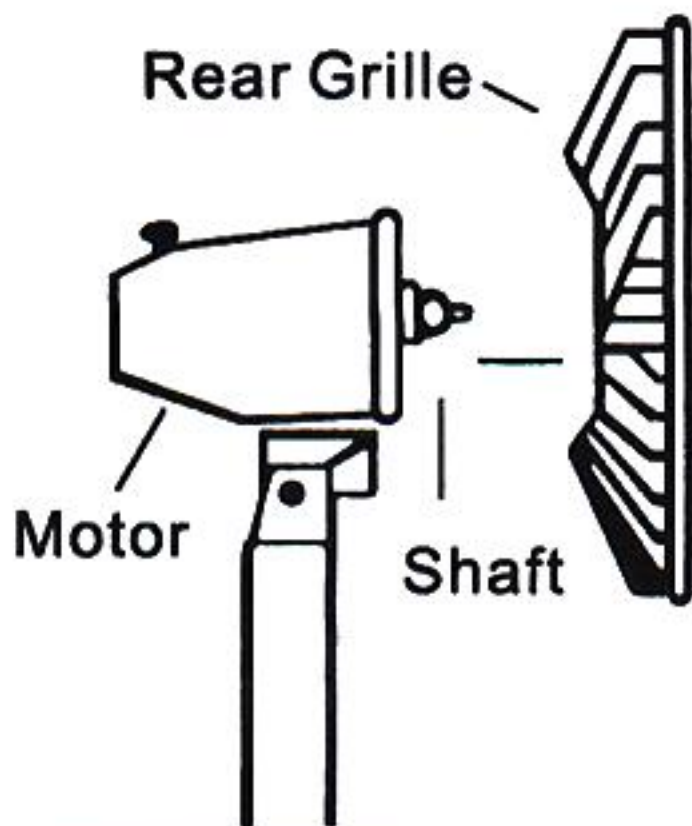
Unscrew the blade cap by turning clockwise & rear guard mounting nut by turning counter clockwise.



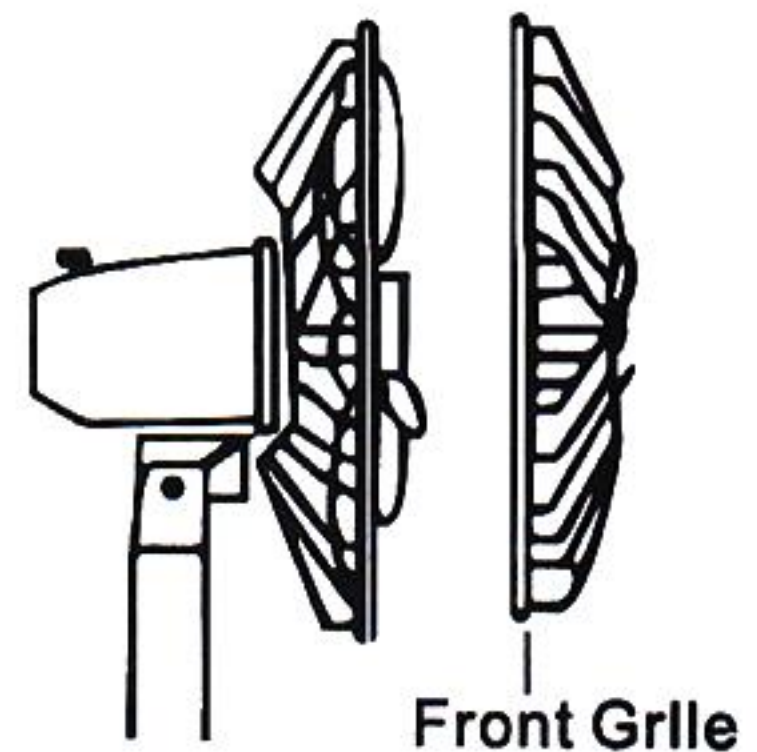
Screw blade cap on shaft by turning counter clockwise.



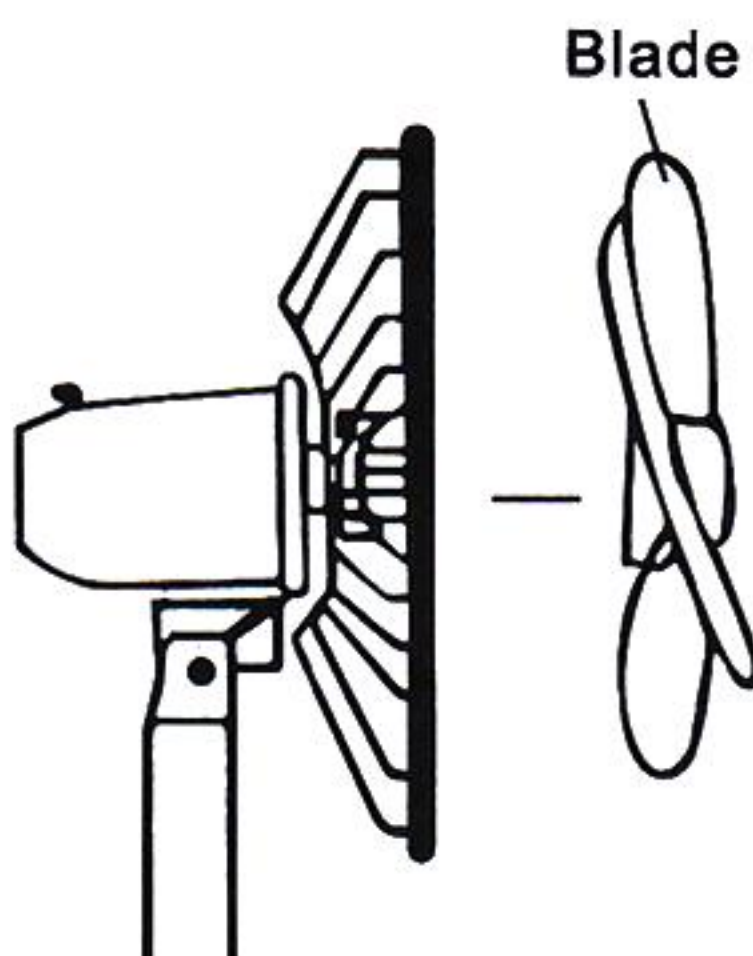
Put rear grille on motor shaft and secure with guard nut.



Put front grille on rear grille and close clips or screw grille ring to secure grilles together.



Slide blade on motor shaft.



## MAINTENANCE

1. Before cleaning unplug fan first.
2. Clean the fan with soft cloth and neutral detergent, but not gasoline or other solutions.
3. Add a few drops of high quality lubricating oil to the bearings of the motor before the first operation every year.